



HYDRA-TECH PUMPS

PORTABLE HYDRAULIC POWER UNIT

MODEL HT11DXR

This compact diesel power unit features an extended run fuel tank, extra oil cooling and easy handling. Great for continuous duty applications powering our pumps or other hydraulic equipment.



FEATURES

- Yanmar air-cooled Diesel Engine with Electric Start
- Roll Cage Frame with Single Point Lifting Eye
- Gear-Type Hydraulic Pump
- Spin-On Return Filter W/ Indicator
- Variable Speed Control
- Hydraulic Oil Cooler
- Tank Top Filler/ Strainer
- HTMA Quick - Disconnect Couplings
- System Relief Valve
- Pressure Control Valve
- Liquid Filled Pressure Gauge
- Fluid Level/ Temperature Gauge
- Fuel Level Gauge
- Wheel Kit

OPTIONS

- Other Flow and Pressure Combinations

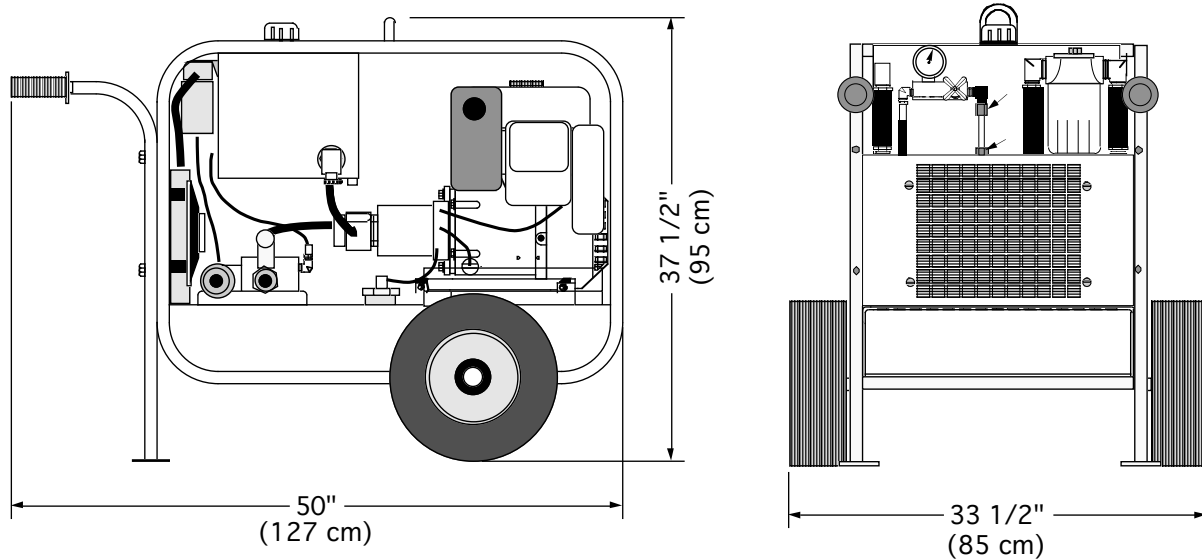
B0109



**HYDRA-TECH
PUMPS**

167 Stock Street, Nesquehoning, PA 18240 Phone: 570-645-3779 Fax: 570-645-4061
Website: www.hydra-tech.com E-Mail: htpump@hydra-tech.com

Model HT11DXR Overall Dimensions



SPECIFICATIONS

ENGINE:..... Yanmar L100V Diesel
HORSE POWER:..... 11 @ 3500 RPM
HYDRAULIC OUTPUT:..... Variable, Max 6 GPM (23 LPM)
OPERATING PRESSURE:..... Maximum 2100 PSI (143 Bar)
HOSE PORT SIZE:..... 1/2" or 3/4" NPT
HYDRAULIC OIL:..... SAE 10W or 20W Type AW
also:.. Dexron ATF or Biodegradable oil
OIL FILTRATION:..... 10 Micron (Standard)
OIL RESERVOIR CAPACITY:..... 8 U.S. Gallons (30 Liters)
FUEL TANK CAPACITY:..... 15 U.S. Gallons (57 Liters)
FUEL CONSUMPTION:..... Approx. .5 U.S. Gal/Hr (1.9 Liters/Hr)
DIMENSIONS:.. H 37 1/2" (95 cm) x W 33 1/2" (85 cm) x L 50" (127 cm)
WEIGHT (Dry):..... 395 lbs. (179 kg)

* For Flows and Pressures Other Than Standard, Consult Factory

Since we are constantly working to improve our products, specifications are subject to change without notice.



167 Stock Street, Nesquehoning, PA 18240 Phone: 570-645-3779 Fax: 570-645-4061
Website: www.hydra-tech.com E-Mail: htpump@hydra-tech.com