



# HYDRA-TECH PUMPS

## PORTABLE HYDRAULIC POWER UNIT

### MODEL HT150DJV



This 150 horsepower hydraulic power unit features a John Deere diesel engine, pressure compensated piston hydraulic pump, engine mounted hydraulic oil cooler and built-in fuel tank. It is designed to power our larger submersible pumps and other hydraulic equipment requiring flows up to 70 GPM.

## FEATURES

- Skid Frame Chassis with Built-In Fuel Tank, Forklift Pockets and Single-Point Lifting Bracket
- Dependable John Deere Diesel
- Automatic Engine Safety Shutdown
- Variable Piston Hydraulic Pump
- Efficient Hydraulic Oil Cooler
- Spin-On Return Filter w/Indicator
- Variable Speed Control
- Tank Top Filler/ Strainer
- System Relief Valve
- Pressure Control Valve
- Liquid Filled Pressure Gauge
- Fluid Level/ Temperature Gauge

### OPTIONS

- Highway Trailer
- Multiple Hydraulic Circuits
- Other Flow and Pressure Combinations

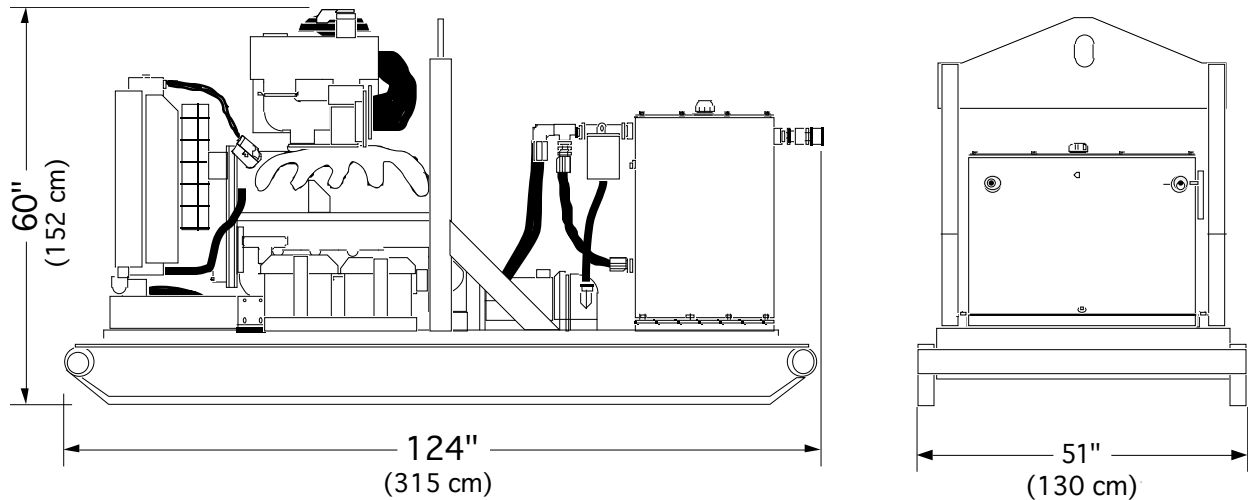
D0209



**HYDRA-TECH  
PUMPS**

167 Stock Street, Nesquehoning, PA 18240 Phone: 570-645-3779 Fax: 570-645-4061  
Website: [www.hydra-tech.com](http://www.hydra-tech.com) E-Mail: [htpump@hydra-tech.com](mailto:htpump@hydra-tech.com)

## Model HT150DJV Overall Dimensions



## SPECIFICATIONS

ENGINE:..... John Deere 6068H285 Diesel (Tier 3)  
HORSEPOWER:..... 150 @ 2300 RPM  
HYDRAULIC OUTPUT\*:..... Variable, Max. 70 GPM (265 LPM)  
OPERATING PRESSURE\*:..... Maximum 2500 PSI (170 Bar)  
HOSE PORT SIZE:..... 1 1/2" NPT  
HYDRAULIC OIL:.....SAE 10W or 20W Type AW  
also:..... Biodegradable Oil (Consult Factory)  
OIL FILTRATION:.....10 Micron (Standard)  
OIL RESERVOIR CAPACITY:..... 100 U.S. Gallons (378 Liters)  
FUEL TANK CAPACITY:..... 89 U.S. Gallons (337 Liters)  
FUEL CONSUMPTION:..... Approx. 8 U.S. Gal/Hr (30 Liters/Hr)  
DIMENSIONS:..... H 60" (152 cm) x W 51" (130 cm) x L 124" (315 cm)  
WEIGHT (Dry):..... 4800 lbs. (2182 kg)

\* For Flows and Pressures Other Than Standard, Consult Factory

Since we are constantly working to improve our products, specifications are subject to change without notice.



167 Stock Street, Nesquehoning, PA 18240 Phone: 570-645-3779 Fax: 570-645-4061  
Website: [www.hydra-tech.com](http://www.hydra-tech.com) E-Mail: [htpump@hydra-tech.com](mailto:htpump@hydra-tech.com)