



# HYDRA-TECH PUMPS

## PORTABLE HYDRAULIC POWER UNIT

### MODEL HT3G



This Honda powered 'Ultra-Lite' power pack is primarily designed to drive our 2" 'Mini-Sub' submersible pump. It can also provide very portable, self-contained, hydraulic power to run other hydraulic tools and equipment.

## FEATURES

- Reliable Honda 4 Cycle Gas Engine
- Very Light - Weighs only 43 lbs. (19 kg)
- One-Hand Carry Chassis
- Gear-Type Hydraulic Pump
- Oil-Alert™ Safety Shutdown
- Variable Speed Control
- See-Through Oil Reservoir
- System Relief Valve
- Pressure Control Valve
- Liquid Filled Pressure Gauge
- Anti - Vibration Mounting Feet
- No-Spill, Quick Release Couplings

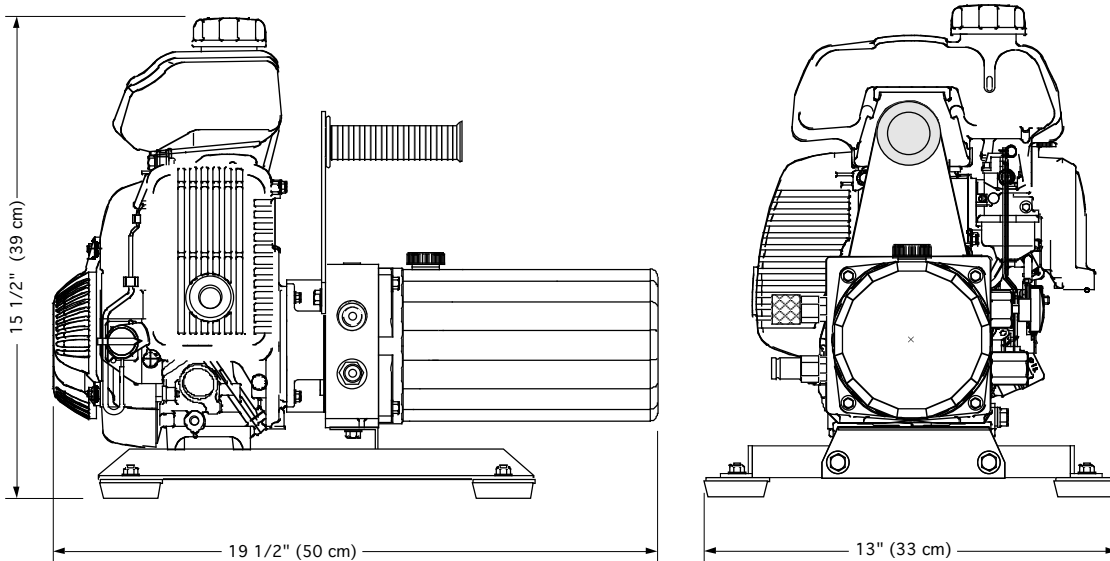
B0109



**HYDRA-TECH  
PUMPS**

167 Stock Street, Nesquehoning, PA 18240 Phone: 570-645-3779 Fax: 570-645-4061  
Website: [www.hydra-tech.com](http://www.hydra-tech.com) E-Mail: [htpump@hydra-tech.com](mailto:htpump@hydra-tech.com)

## Model HT3G Overall Dimensions



## SPECIFICATIONS

ENGINE:..... Honda GX100 Gasoline  
HORSE POWER (KW):..... 3 (2.2) @ 4000 RPM  
HYDRAULIC OUTPUT:..... 1.2 GPM (4.5 LPM) @ 2400 PSI (163 Bar)  
HOSE PORT SIZE:..... 3/8" (#6)SAE  
HYDRAULIC OIL:..... SAE 10W or 20W Type AW  
also:..Dexron ATF or Biodegradable Oil  
OIL RESERVOIR CAPACITY:..... 1.7 U.S. Quarts (1.6 Liters)  
FUEL TANK CAPACITY:..... .81 U.S. Quarts (.77 Liters)  
FUEL CONSUMPTION:..... Approx. .76 U.S. Quarts/Hr (.7 Liters/Hr)  
RUNNING TIME:(1 tank of fuel@ full load)..... 1 1/4 Hours  
(1 tank of fuel@ half load@ 2000 RPM).....2 1/2 Hours  
DIMENSIONS:..... H 15 1/2" (39 cm) x W 13" (33 cm) x L 19 1/2" (50 cm)  
WEIGHT (Dry):..... 43 lbs. (19 kg)  
(With fuel and hydraulic oil):..... 48 lbs. (22 kg)

\* For Flows and Pressures Other Than Standard, Consult Factory

Since we are constantly working to improve our products, specifications are subject to change without notice.



167 Stock Street, Nesquehoning, PA 18240 Phone: 570-645-3779 Fax: 570-645-4061  
Website: [www.hydra-tech.com](http://www.hydra-tech.com) E-Mail: [htpump@hydra-tech.com](mailto:htpump@hydra-tech.com)