



# HYDRA-TECH PUMPS

## 4" HYDRAULIC SUBMERSIBLE TRASH PUMP

### MODEL S4T

4" (100 mm) Discharge

The S4T is our most versatile 4" pump. It is rugged, compact and able to pass large solids, this pump is designed to tackle many jobs ranging from general construction site de-watering to sewage and slurry pumping.



### FEATURES

- 2-Vane Channel Impeller (will pass 3" (75 mm) semi-solids)
- Oil Lubricated Seals (can run dry)
- Variable Speed hydraulic drive
- Wide Range of performance
- Can be bolted directly into a pipeline
- Safe Hydraulic Drive can be used where electric power is hazardous or impractical
- Dependable gear type hydraulic motor
- Operates with our HT15 to HT25 power units or other hydraulic power sources capable of flows of 10 - 15 GPM

### SPECIFICATIONS

WEIGHT:	140 lbs. (63 kg)
HEIGHT:	25-1/2" (65 cm)
WIDTH (@ widest point):	19-1/2" (50 cm)
DISCHARGE:	4" NPT(F)
INLET FLANGE:	4", 125# ASA
SOLIDS HANDLING:	3" (75 mm)
HOSE PORTS:	3/4" (-12) SAE(F)
PUMP BODY:	Ductile Iron
IMPELLER:	Ductile Iron
SHAFT:	Stainless Steel
SHAFT SEAL:	Carbon/Ceramic (Std.) Silicon Carbide (Opt.)
ELASTOMERS:	Buna N (Std)
HYDRAULIC OIL:	214-320 s.s.u. @ 100°F (64°C)
INPUT FLOW:	Max. 15 GPM (57 LPM)
OPERATING PRESSURE:	Max. 2500 PSI (175 Bar)
POWER SOURCE:	Any Open Center Hydraulic System

D0109

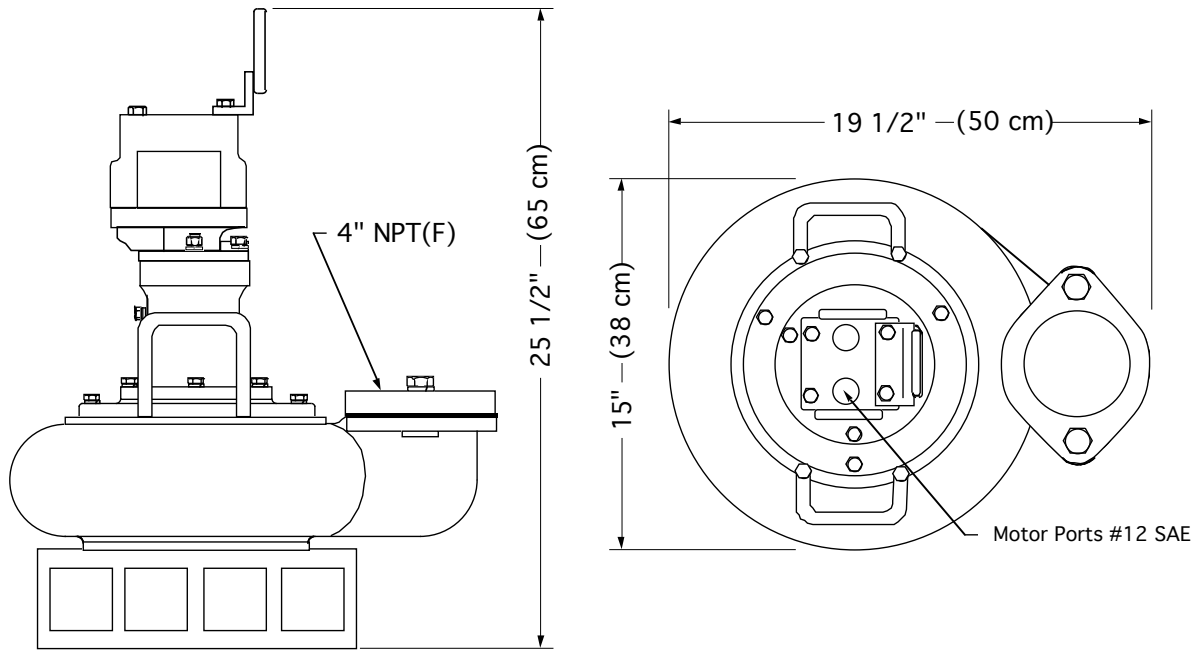
Specifications are subject to change without notice



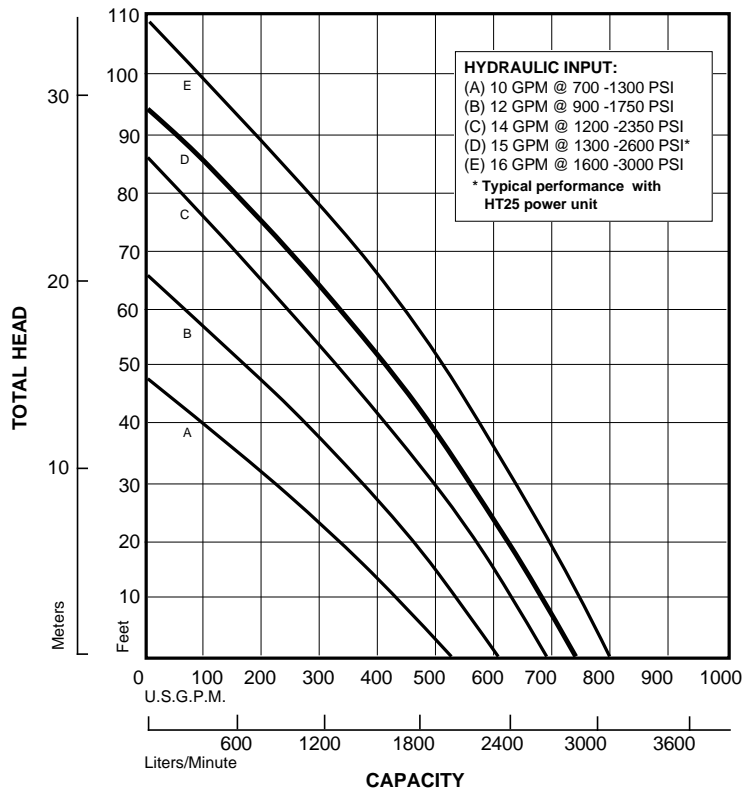
**HYDRA-TECH PUMPS**

167 Stock Street, Nesquehoning, PA 18240 Phone: 570-645-3779 Fax: 570-645-4061  
Website: [www.hydra-tech.com](http://www.hydra-tech.com) E-Mail: [htpump@hydra-tech.com](mailto:htpump@hydra-tech.com)

## Model S4T Overall Dimensions



## S4T Typical Performance



Curves are based on pumping water at 60°F. For performance curves other than shown above, consult factory.



167 Stock Street, Nesquehoning, PA 18240 Phone: 570-645-3779 Fax: 570-645-4061  
 Website: [www.hydra-tech.com](http://www.hydra-tech.com) E-Mail: [htpump@hydra-tech.com](mailto:htpump@hydra-tech.com)